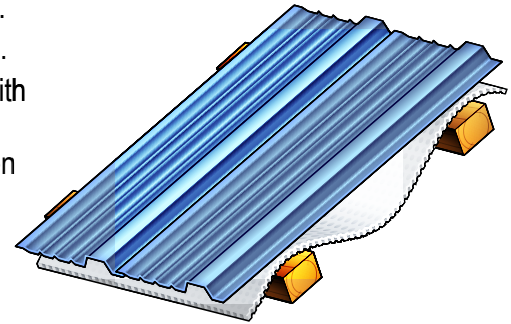


- Ideal insulation for post frame building applications
- Quick and easy to install, and adds R-value
- Reduces heat loss and heat gain all year round
- Can block up to 97% of radiant heat transfer

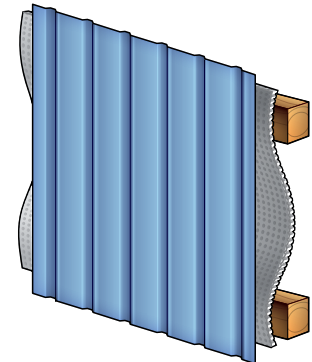
INSTALLATION METHOD #1

1. Starting at end truss, attach EcoFoil® insulation securely over purlins.
2. As you unroll the insulation, allow it to drape slightly between purlins.
3. Attach the product to the purlins using staples, and seal all seams with EcoFoil® tape.
4. Affix roofing panels as usual- creating an enclosed air space between insulation and the roof itself.



INSTALLATION METHOD #2

1. Attach EcoFoil® insulation to purlins of the building wall, and unroll product vertically.
2. As the insulation is unrolled, allow it to slightly drape between each purlin.
3. Attach product to purlins using staples and seal all seams with EcoFoil® tape.
4. Affix roofing panels as usual – creating an enclosed airspace between insulation and the roof itself.



SUGGESTED PRODUCTS FOR THIS APPLICATION:

- REFLECTIVE INSULATION › 2200, 2500, 6272 or 6273 series - available in various dimensions
EcoFoil® REFLECTIVE TAPE › 15213 (reflective), 15853 (white poly)

Check local building codes for compliance before installation. This installation sheet is intended solely to illustrate the proper location and placement of EcoFoil® Reflective Insulation products in specific construction applications. They are not intended to illustrate proper construction methods (which is ultimately the responsibility of the builder or contractor). The installation instructions are only recommendations relating to the location and placement of EcoFoil® Reflective Insulation products, and EcoFoil® makes no claims that these construction systems are universally accurate.

All warranties and performance estimates are void if EcoFoil® Reflective Insulation products are used in exterior applications, or in non-enclosed systems or buildings.

Exercise caution when using EcoFoil® Reflective Insulation products near and around electrical wiring and devices.